



Driven by Quality, Sustainable Packaging Solutions



## Company Profile

BANDMA started its operation with a strong commitment to contribute to India's packaging sector. The need for innovative solutions in this sector inspired Mr. Sanjay Jain to lay the foundation of a business enterprise to provide the country with industry specific and need based packaging solutions. Consistently, since then, the company grew into a reputed firm trusted by business partners for quality products.

Being an ISO 14001 and ISO 9001 certified company, we at BANDMA try to reach better quality control and high standard by minimizing carbon foot print.

Today, BANDMA is an international brand, which over the years has made a mark in the packaging sector through timely delivery of technology and quality products at optimum cost. It has a strongly connected network of distributors, salesmen and maintenance engineers to cater the customers around the world.

## Director's Message

The plastic sector is one of the leading sectors in India as well in the world with the per capita consumption burgeoning at a very fast pace.

To my greatest pleasure, BANDMA now is not only the leading service provider but also Asia's technology leader in this field. People recognize the success of BANDMA today; little do they know that BANDMA actually started just from a humble beginning.

We commit ourselves to continuously strengthening our product lines and achieve maximum customer satisfaction.

## Vision Statement

Mr. Sanjay Jain started BANDMA with a belief to evolve technology based packaging solutions. He outlined the core principles and vision for the company as follows:

"The company and its entities will continuously strive to achieve cost effective technology based solutions for enhancing the productivity of the packaging sector. It will continuously evolve itself to deliver customer specific solutions. It will engage with its employees and customer base to increase productivity and efficiency of the sector. "

## Service/Training

BANDMA's customer commitment does not end with the sale of packaging system equipments but also performs tool and machine repairs. We maintain a large inventory of spares and replacement parts in our own warehouses.

BANDMA group can also supervise the installation of all systems and provide on site operators and maintenance training. BANDMA offers machine maintenance; contracts through regular scheduled visits and have a field service staff for fast emergency service.

## Brand Architecture

This denotes the structure of various brands within our organizational entity. It is the way in which all the brands of our company's portfolio are related to, and differentiated from, one another. Every brand from our portfolio is easily identifiable and built upon a differentiating factor, each providing a set of services of its own.

BANDMA Wave 

BANDMA Edge 

BANDMA Parallel 

BANDMA Turn 

BANDMA Avivo 

BANDMA Gusto 

SCCOVA | BOXXEL

# STRAPPING

## Our products include:

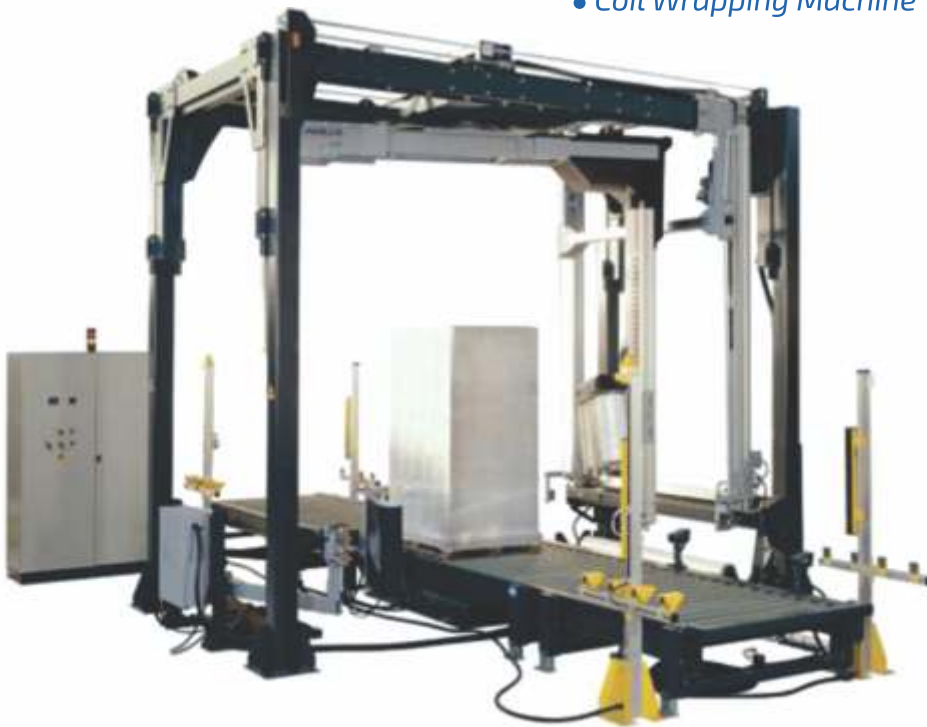
- Fully Automatic Strapping Machine
- Printed Media Strapping Machine
- Semi-Auto Strapping Machi
- Side-Seal Strapping Machin
- Pallet Strapping Machine
- Corrugated Strapper



# WRAPPING (STRETCH)

## Our products include:

- Semi-Automatic Stretch Wrappers
- Automatic Pallet Stretch Wrapper with Turn Table
- Automatic Pallet Stretch Wrapping with Rotating Arm
- Automatic Pallet Stretch Wrapper for 3-D Reel Wrapping
- Spiral Wrapping Machine
- Coil Wrapping Machine



# TAPING & ERECTOR

## Our products include:

- Semi-Auto Flap Folding Carton Sealer
- Fully-Auto Flap Folding Carton Sealer
- Semi-Auto Carton Erector
- Fully-Auto Carton Erector
- Semi-Auto Carton Sealer
- Fully-Auto Carton Sealer
- Bottom Flap Folder



# WRAPPING (SHRINK)

## **Our products include:**

- Side Sealer & Shrink Tunnel
- L Sealer & Shrink Tunnel
- Sleeve Sealer & Shrink Tunnel
- Shrink Tunnel
- Pallet Shrink Wrap Machine
- Corner Sealer

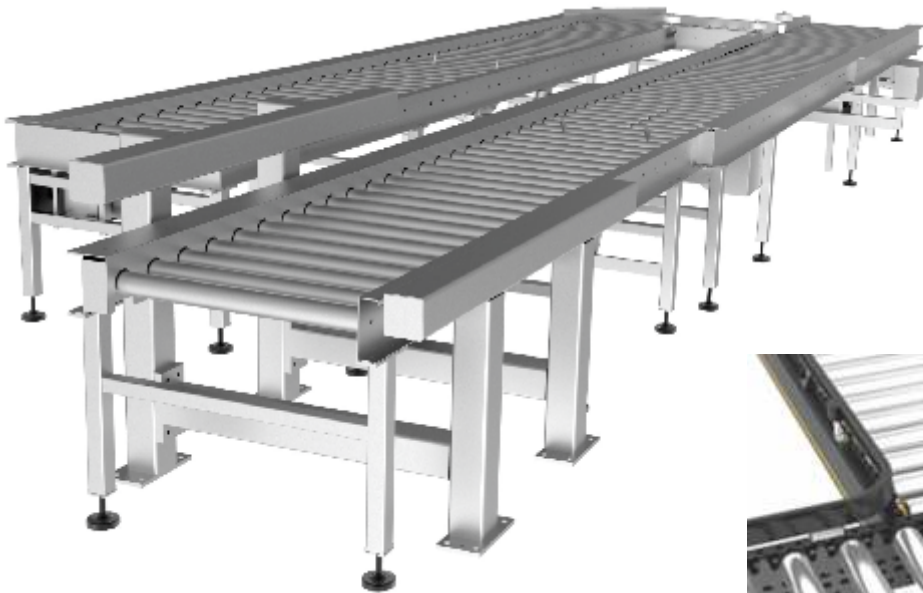
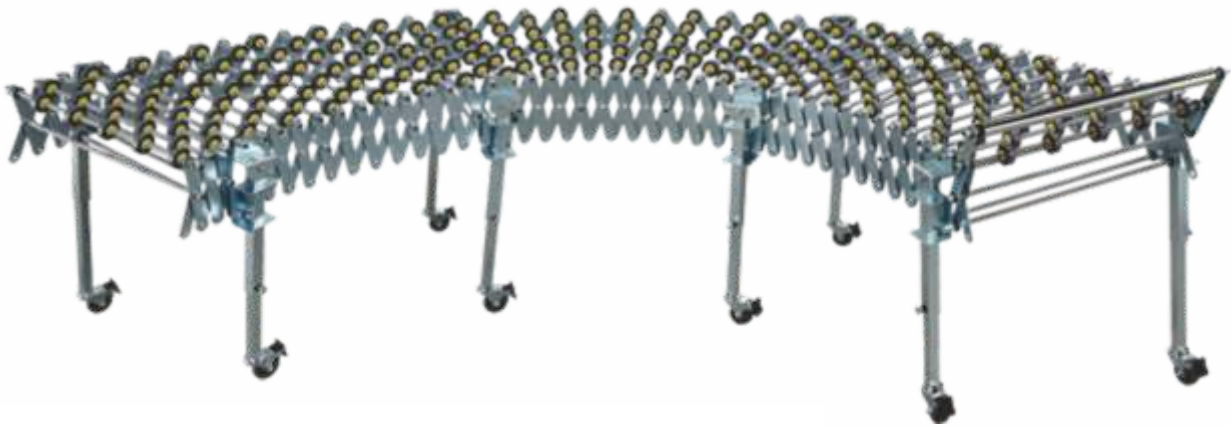


# CONVEYORS

BANDMA *mió*

## Our products include:

- Clutch Conveyors
- Drag Chain Conveyors
- Idler Roller
- Powered - Single Speed
- Powered - Variable Speed
- Chain Conveyors - 2/3/5 Strand Chain Single / Double
- Belt Conveyor
- Turntable
- Integrated Lift and Turn
- 90 Degree Transfer
- Transfer Car
- Centering Device Pusher
- Pusher
- Manual Centering Adjuster



BANDMA



# TOOLS & CONSUMABLES



**B** | **BANDSTRAP**  
STRAPPING SOLUTIONS

**NUVOZA**  
packaging films

Polypropylene (PP) Strap

Polyester (PET) Strap

Composite Strap & Buckles

LLD/PE

Stretch Film

PE

Shrink Film

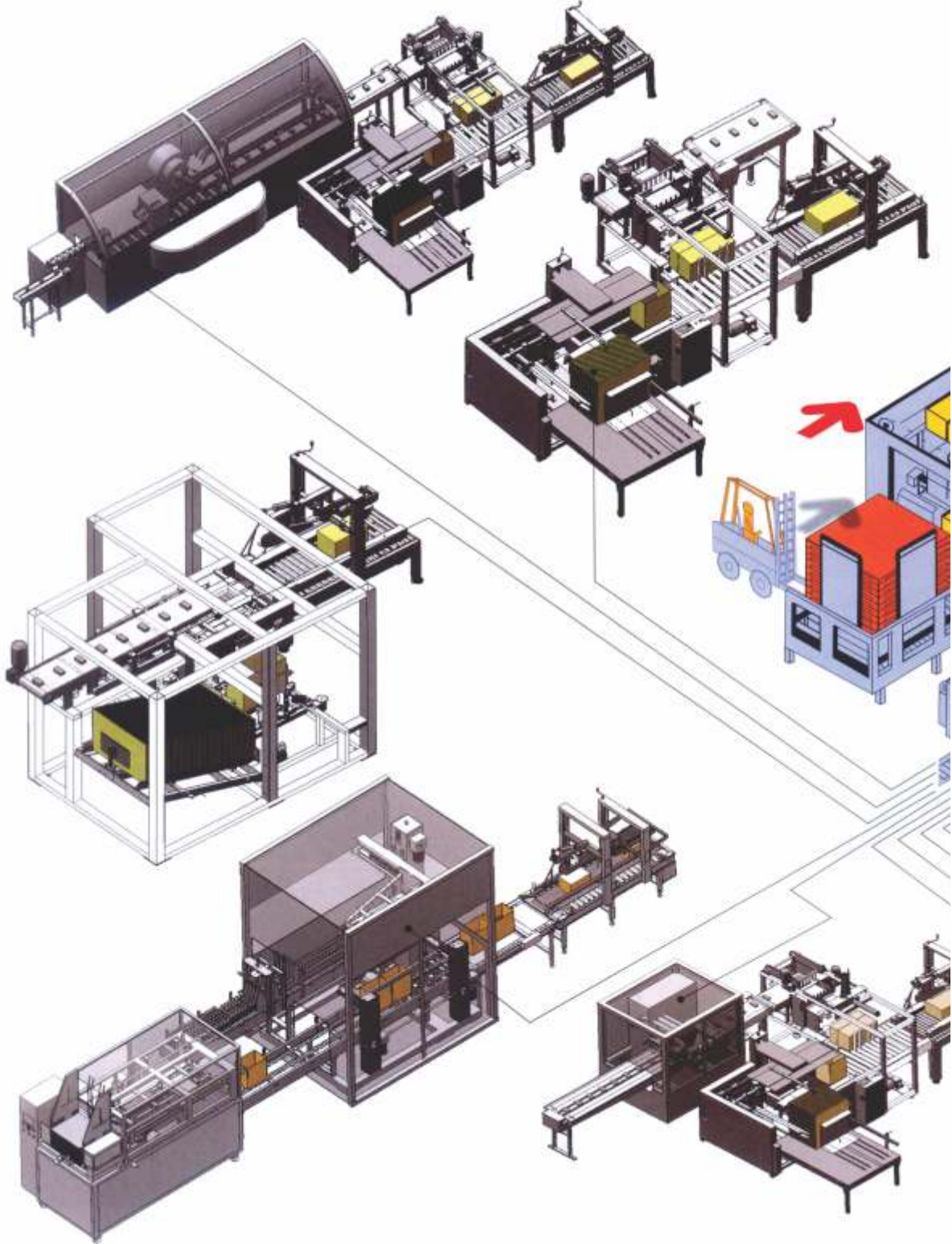
POF

Shrink Film

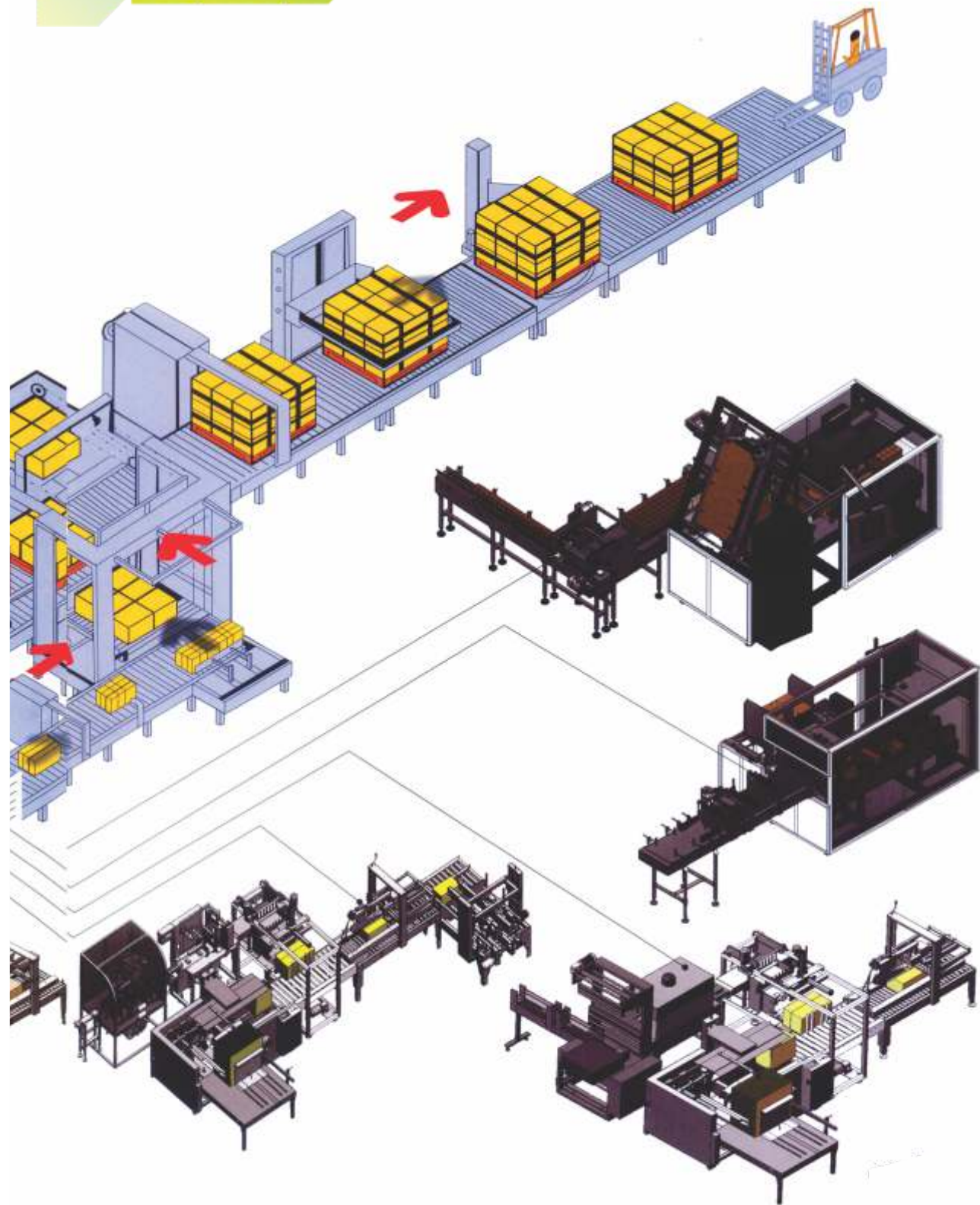


**BANDMA**

# PERFECT UNMANNED PACKAGING SYSTEM



# IN-LINE SYSTEM





FOR THE  
DESIGNED IN INDIA  
WORLD

www.bandmainfo.com  
www.bandma.in



## BANDMA INDUSTRIAL GROUP (BIG)

1. REAL VALUE PLASTIC PRIVATE LIMITED (**BANDSTRAP**)
2. SURESH RAJ PACKAGING PRIVATE LIMITED (**BANDMA**)
3. RAJ PLASTIC INDUSTRIES (**BANDMA**)
4. SURESH RAJ INDUSTRIES (**NUVOZA**)



Call Us for Packaging Audit/Packaging Contract

**Head Office**  
BANDMA HOUSE, E-36 A,  
New Multan Nagar, Rohtak Road,  
New Delhi - 110056

**Corporate Office**  
FERDEPLEX, A-16, Swarn Park  
Extension, Mundka Colony,  
New Delhi - 110041

Contact : +911145518758, +91 9899996500, +91 9899996505

For sales : marketing@bandmainfo.com, +91-9205695560  
For contact : contact@bandmainfo.com, +91-9205695561  
For complaints : support@bandmainfo.com, +91-9319291057

